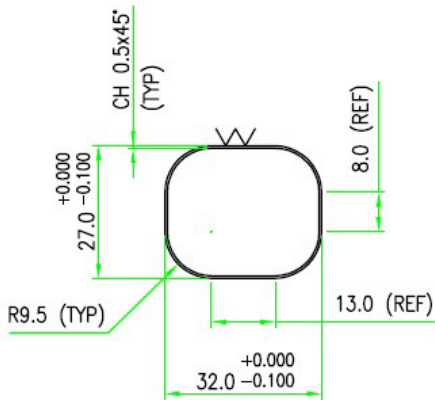
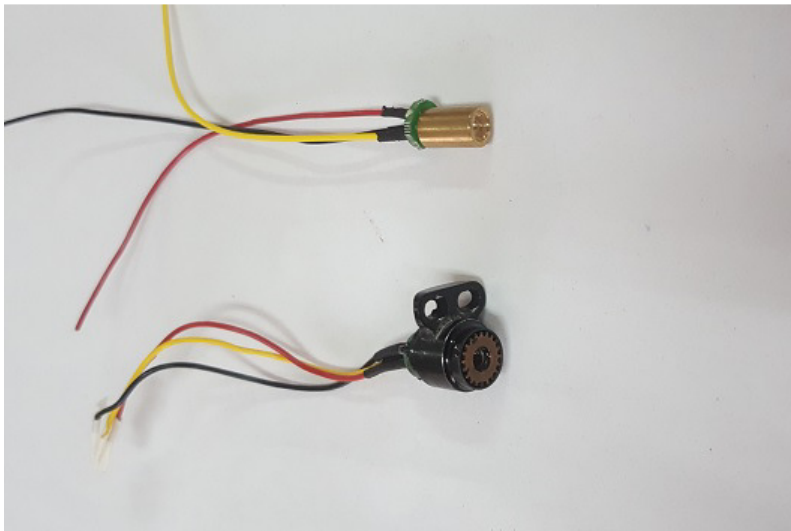


Annexure 4

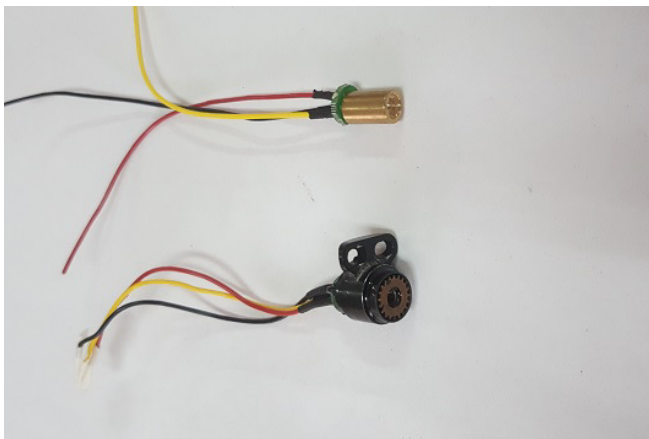
1. Meniscus lens 282010310145



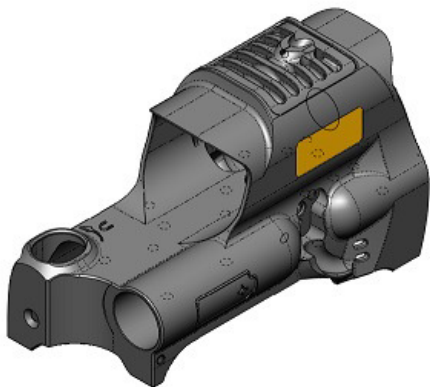
2. Visible Laser pointer 446080520153



3. IR Laser pointer 446080530144



4. Magnesium Housing 280088030105



5. Cover 280088010123

